

Filler breathers

HB 50 / HB 70 / HB 110 / HB 120 series

Air filters

AF 105 / AF 106 series

Level gauges

HL 91 / HB 02 series



HL 91 LEVEL INDICATORS

TECHNICAL DATA

HL 91 level indicators are directly connected to the reservoir to check the level and temperature of the hydraulic fluid. There are 3 different dimensions available with difference between centers of 3 in (76 mm), 5 in (127 mm) and 10 in (254 mm) and are equipped with M10 or M12 fixing screws.

Versions with a thermometer are also available.

The external protection is made of anodized aluminum to provide strong impact resistance, while the central body is made of see-thru polyamide.

- Anodized aluminum external protection
- High resistance against impacts
- Applicability to pressurized tanks up to 14.5 psi (1 bar)

MATERIALS

External protection	Anodized aluminum
Terminals	Reinforced nylon
Central body	See-thru polyamide
Reading tag	Polyamide
Fixing screws	Zinc-plated steel
Nuts	Zinc-plated steel
Seals	Buna - Viton

FLUIDS COMPATIBILITY

In accordance with ISO 2943 (Norm ISO 6743/4)

Mineral oils	HH - HL - HM - HR - HV - HG
Water emulsions	HFAE - HFAS
Synthetic fluids	HS - HFDR - HFDU - HFDS

PRESSURE

Maximum working pressure 14.5 psi (1 bar)

WORKING TEMPERATURE

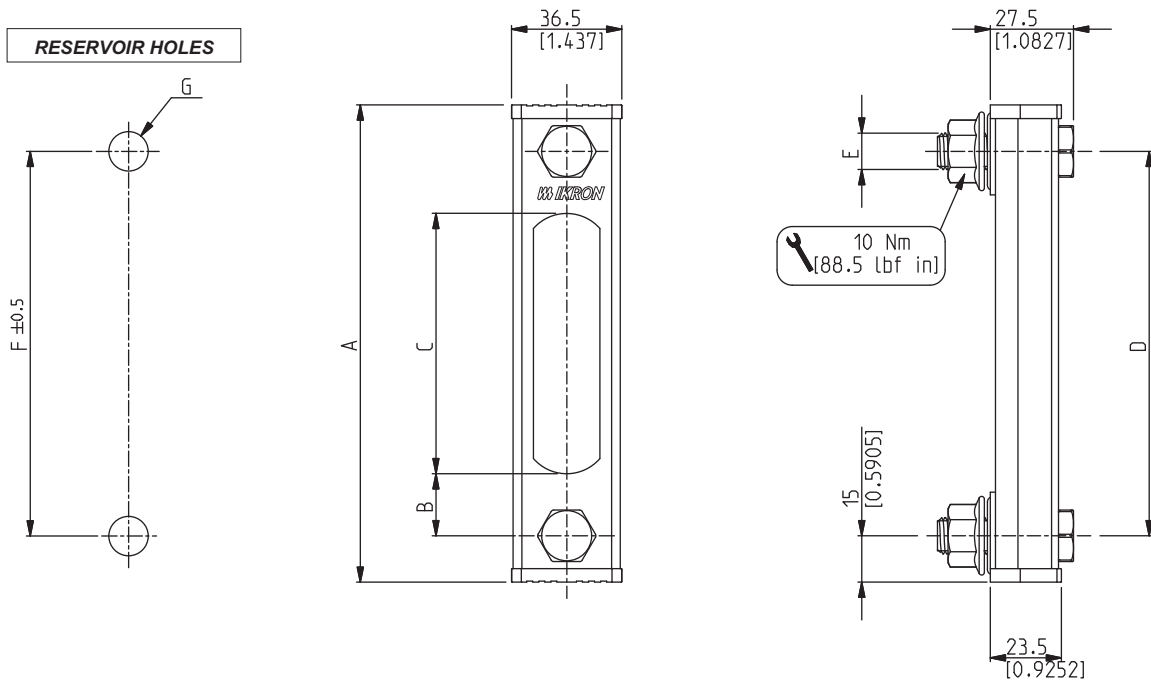
-22 ÷ 195 °F (-30 ÷ 90 °C)

THERMOMETER RANGE

HL 91-10	32 ÷ 176 °F (0 ÷ 80 °C)
HL 91-20	32 ÷ 212 °F (0 ÷ 100 °C)
HL 91-30	32 ÷ 212 °F (0 ÷ 100 °C)

01/09.2011

DIMENSIONS

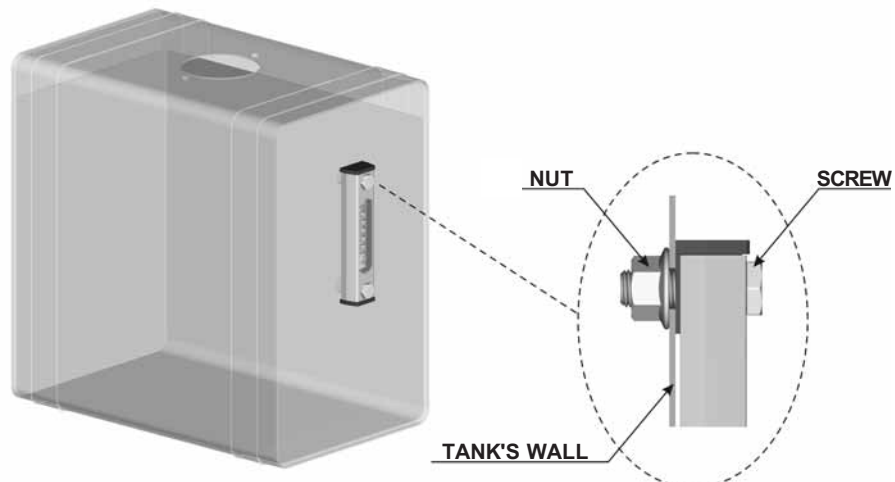


ICAT_024_021_HL91

Indicator type	Weight	A	B	C	D	E	F	G
	Kg(lbs)	mm(in)	mm(in)	mm(in)	mm(in)	Metric	mm(in)	mm(in)
HL 91-10	0,15 (0.33)	106 (4.1732)	17,5 (0.6890)	41 (1.6142)	76 (3.0000)	M10	76 (3.0000)	11 (0.4330)
						M12		13 (0.5118)
HL 91-20	0,19 (0.42)	157 (6.1811)	20,5 (0.8071)	86 (3.3858)	127 (5.0000)	M10	124 (5.0000)	11 (0.4330)
						M12		13 (0.5118)
HL 91-30	0,23 (0.51)	284 (11.1811)	20,5 (0.8071)	213 (8.3858)	254 (10.0000)	M10	254 (10.0000)	11 (0.4330)
						M12		13 (0.5118)

ASSEMBLY INSTRUCTIONS

The connection of the HL 91 level indicators is done through the built-in-screws. After they pass the tank's drilled wall they have to be mounted using the supplied nuts to a torque of 88.5 lbf in (10 Nm). Before connecting make sure there are no burrs in the screws mounting seats.



NOTE

To avoid accidental impacts that might break the level indicator and cause oil leaks, we suggest to arrange additional protection of the tank.

01/09.2011

HOW TO ORDER AN HL 91 LEVEL INDICATOR

1	2	3	4
HL 91	-	10	-
T1	-	T	-
B			

1	Indicator type	CODE
	3 in (76 mm) wheelbase	HL 91-10
	5 in (127 mm) wheelbase	HL 91-20
	10 in (254 mm) wheelbase	HL 91-30

2	Fixing screws	CODE
	M 10	T1
	M 12	T2

3	Thermometer	CODE
	Without	N
	With thermometer	T

4	Seals	CODE
	Buna	B
	Viton	V

- Standard
- On request

Suction filters

HF 410
HF 412
HF 431
HF 434
HF 437

Tank mounted return line filters

HF 502
HF 508
HF 547
HF 554
HF 570
HF 575
HF 578

In line filters Spin-On

HF 620
HF 625
HF 650

In line medium and high pressure filters

HF 690
HF 705
HF 710
HF 725
HF 735
HF 745
HF 760
HF 761

Accessories

Filler breathers
Air filters
Level and temperature gauges
Pressure gauges
Pressure/vacuum gauges
Clogging indicators



IKRON S.r.l.

Via Prampolini, 2 - 43044 Lemignano di Collecchio - Parma - Italy

Tel.: + 39 0521 304911 - Fax: + 39 0521 304900

Videoconferencing IP

www.ikron.it

E-mail: info@ikron.it



ACCESSORIES 01 T A Edition: 01/09.2011

