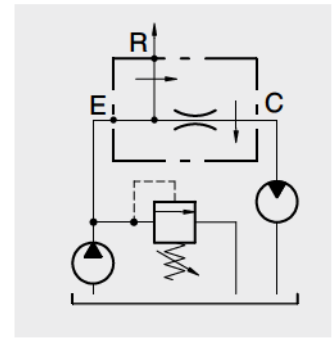


Operation

The valve is designed to keep constant flow in C and concurrently discharge exceeding flow in R for other applications. Best performance of the valve is assured when the flow in E is at least 10% bigger than in C. Pressure variations in C and R do not alter the constant flow in C. Make sure that a pressure relief valve is always used between the pump and the valve.



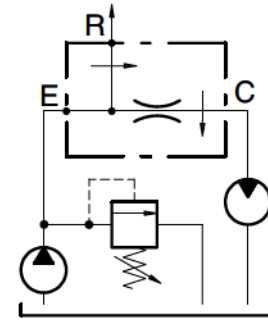
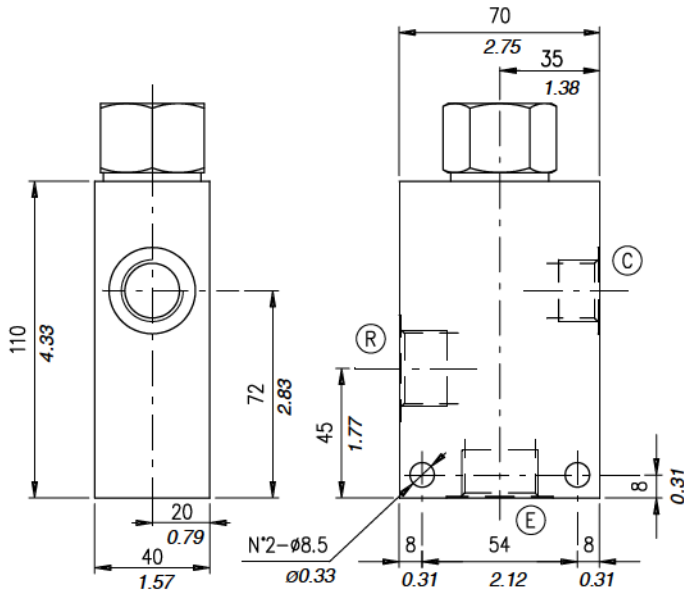
Performance

Body Valves

Type VPF/3/EP..	Max flow in E		Flow regulated in C (l/min.) depending on the fixed orifice size															
			mm	Ø	Ø	Ø	Ø	Ø	Ø	Ø	Ø	Ø	Ø	Ø	Ø	Ø	Ø	Ø
				in	0.040	0.059	0.079	0.098	0.11	0.12	0.14	0.15	0.16	0.18	0.20	0.21	0.24	0.25
VPF/3/EP38	60	16	l/min	1,2	2,8	5	7,5	9,5	11	16	20	23	-	-	-	-	-	
			US gpm	0.3	0.7	1.3	2	2.5	2.9	4.2	5.3	6	-	-	-	-	-	-
VPF/3/EP12	100	26	l/min	1,1	2,5	4	6,5	8	9,5	13	16	18	25	32	41	-	-	
			US gpm	0.3	0.7	1	1.7	2.1	2.5	3.4	4.2	4.7	6.6	8.4	11	-	-	-
VPF/3/EP34	150	40	l/min	1,3	3	5	7,5	-	11	15	-	20,5	26,5	33	42	52	63	
			US gpm	0.3	0.8	1.3	2	-	2.9	4	-	5.4	7	8.7	11	14	17	20

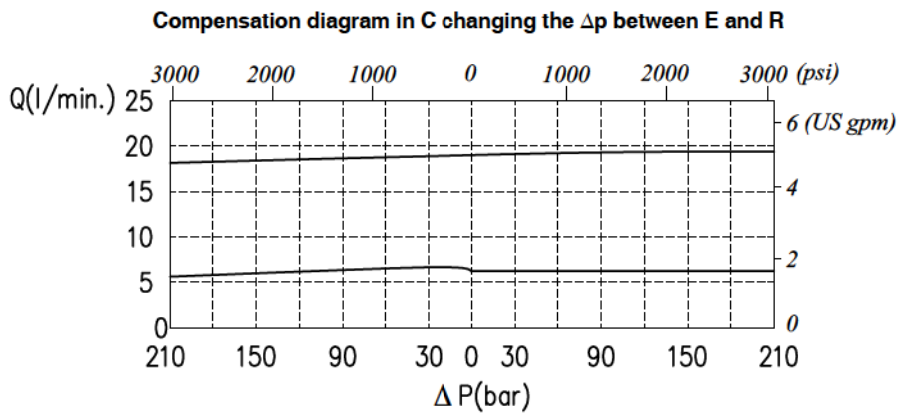
Type VPF/3/EP..	Values have been pointed out a the following cond.	Max. Press.	Weight	
			kg	lb
VPF/3/EP38	flow in E: 40 l/min (11 US gpm) no load on both, R and C ports	210 bar -3050 psi- (aluminium body) 350 bar -5100 psi- (steel body)	0,60 (alum.) 1,35 (steel)	1,32 (alum.) 2,98 (steel)
VPF/3/EP12	flow in E: 80 l/min (21 US gpm) no load on both, R and C ports		0,85 (alum.) 1,97 (steel)	1,87 (alum.) 4,34 (steel)
VPF/3/EP34	flow in E: 100 l/min (26 US gpm) no load on both, R and C ports		1,67 (alum.) 3,58 (steel)	3,68 (alum.) 7,89 (steel)

Dimensions and hydraulic circuit



E-R	C
G 3/4	G 1/2

Rating diagrams

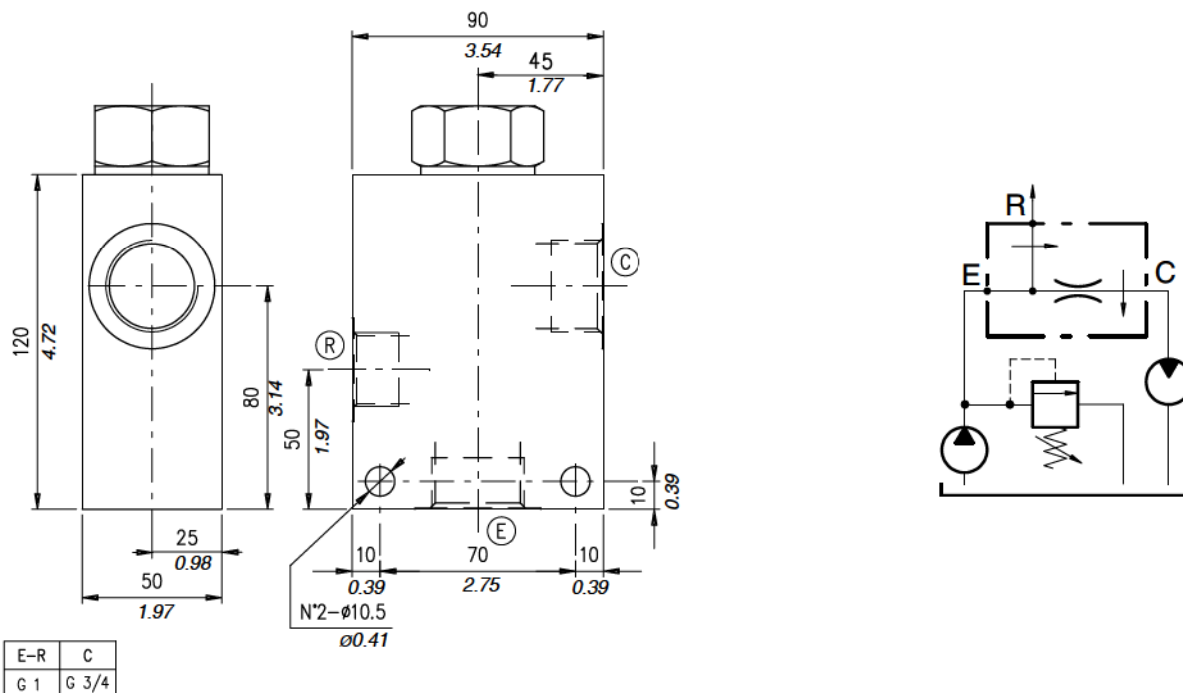


Order code

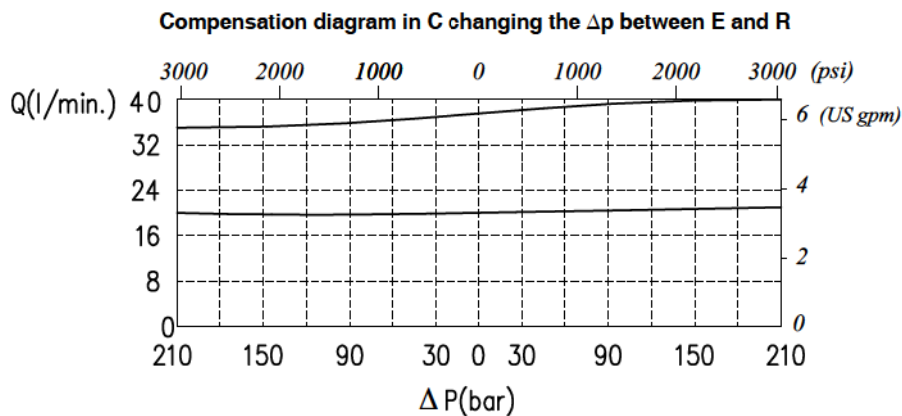
VPF /3 /EP 12 /DS □ / □

<p>Fixed Orifice Size (mm)</p> <p>1 (3,93x10⁻² in) 3, 5 (13,77x10⁻² in) 1, 5 (5,90x10⁻² in) 3, 8 (14,96x10⁻² in) 2 (7,87x10⁻² in) 4 (15,74x10⁻² in) 2, 5 (9,84x10⁻² in) 4, 5 (17,71x10⁻² in) 2, 8 (11,02x10⁻² in) 5 (19,68x10⁻² in) 3 (11,81x10⁻² in) 5, 5 (19,68x10⁻² in)</p>	<p>Body material</p> <p>_ Aluminium acSteel</p>
--	---

Dimensions and hydraulic circuit



Rating diagrams



Order code

VPF /3 /EP 34 /DS □ / □

Fixed Orifice Size (mm)

- 1 (3,93x10⁻² in) 4,5 (17,71x10⁻² in)
- 1,5 (5,90x10⁻² in) 5 (19,68x10⁻² in)
- 2 (7,87x10⁻² in) 5,5 (19,68x10⁻² in)
- 2,5 (9,84x10⁻² in) 6 (23,62x10⁻² in)
- 3 (11,81x10⁻² in) 6,5 (25,59x10⁻² in)
- 3,5 (13,77x10⁻² in) 7 (27,55x10⁻² in)
- 4 (15,74x10⁻² in)

Body material

- _ Aluminium
- acSteel