

Working conditions

This catalogue shows technical specifications and diagrams measured with mineral oil of $46\text{mm}^2/\text{s}$ – 46 cS viscosity at 40°C temperature. DH rotary spool diverter valve position cannot be changed when valve is pressurized.

		DH5	DH10	DH20	DH25	DH30
N. of available ways		3-4-6-8	3-4-6-8	3-4-6-8	3-4-6-8	3-6
Nominal flow rating		60l/min	90l/min	140l/min	200l/min	280l/min
Operating pressure (maximum)		315 bar 4600 psi	315 bar 4600 psi	315 bar 4600 psi	250 bar 3600 psi	210 bar 3050 psi
Internal leakage A(B)→T	$\Delta p = 100\text{ bar } 1450\text{ psi}$ with fluid and valve at 40°C	$3\text{ cm}^3/\text{min}$ $0.18\text{ in}^3/\text{min}$	$3\text{ cm}^3/\text{min}$ $0.18\text{ in}^3/\text{min}$	$3\text{ cm}^3/\text{min}$ $0.18\text{ in}^3/\text{min}$	$3\text{ cm}^3/\text{min}$ $0.18\text{ in}^3/\text{min}$	$3\text{ cm}^3/\text{min}$ $0.18\text{ in}^3/\text{min}$
Hydraulic fluid		Mineral base oil				
Fluid temperature	with NBR seals	from -20°C to 80°C				
	with FPM seals	from -20°C to 100°C				
Viscosity	operating range	from 15 to $75\text{ mm}^2/\text{s}$ – from 15 to 75 cS				
	minima	$12\text{ mm}^2/\text{s}$ – 12 cS				
	massima	$400\text{ mm}^2/\text{s}$ – 400 cS				
Max. level of contamination		-19/16 – ISO 4406				
Ambient temperature for working conditions		from -40°C to 60°C				

NOTE – For different working conditions please contact Sales Dept

Standard threads

REFERENCE STANDARDS

		BSP	UN-UNF	METRIC	
THREAD ACCORDING TO		ISO 228/1	ISO 263	ISO 262	ISO 262
		BS 2779	ANSI B1.1 unified		
CAVITY ACCORDING TO	ISO	1179	11926	9974-1	6149
	SAE		J1926		J2244
	DIN	3852-2 shape X or Y		3852-1 shape X or Y	

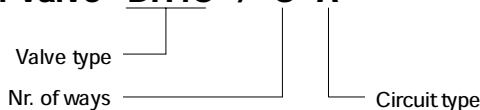
PORTS THREAD

ALL PORTS	BSP	UN-UNF
DH5	G 3/8	3/4-16 (SAE 8)
DH10	G 1/2	7/8-14 (SAE 10)
DH20	G 3/4	1 1/16-12 (SAE 12)
DH25	G 1	1 5/16-12 (SAE 16)
DH30	G 1 1/2	1 7/8-12 (SAE 24)

NOTE – For different thread contact Sales Department

Designation

Diverter valve **DH10 / 3 A**

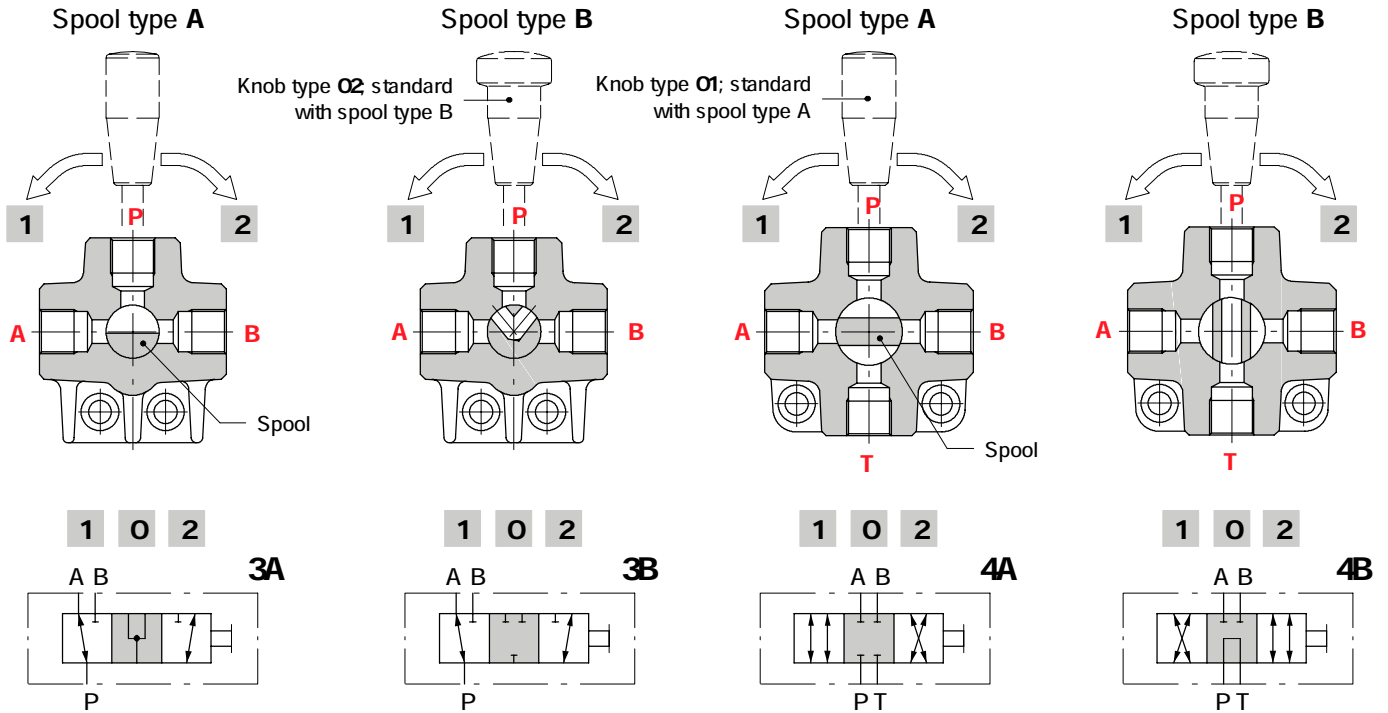


3-way and 6-way

6-way diverter valve is obtained by coupling two 3-way bodies using assembling kit

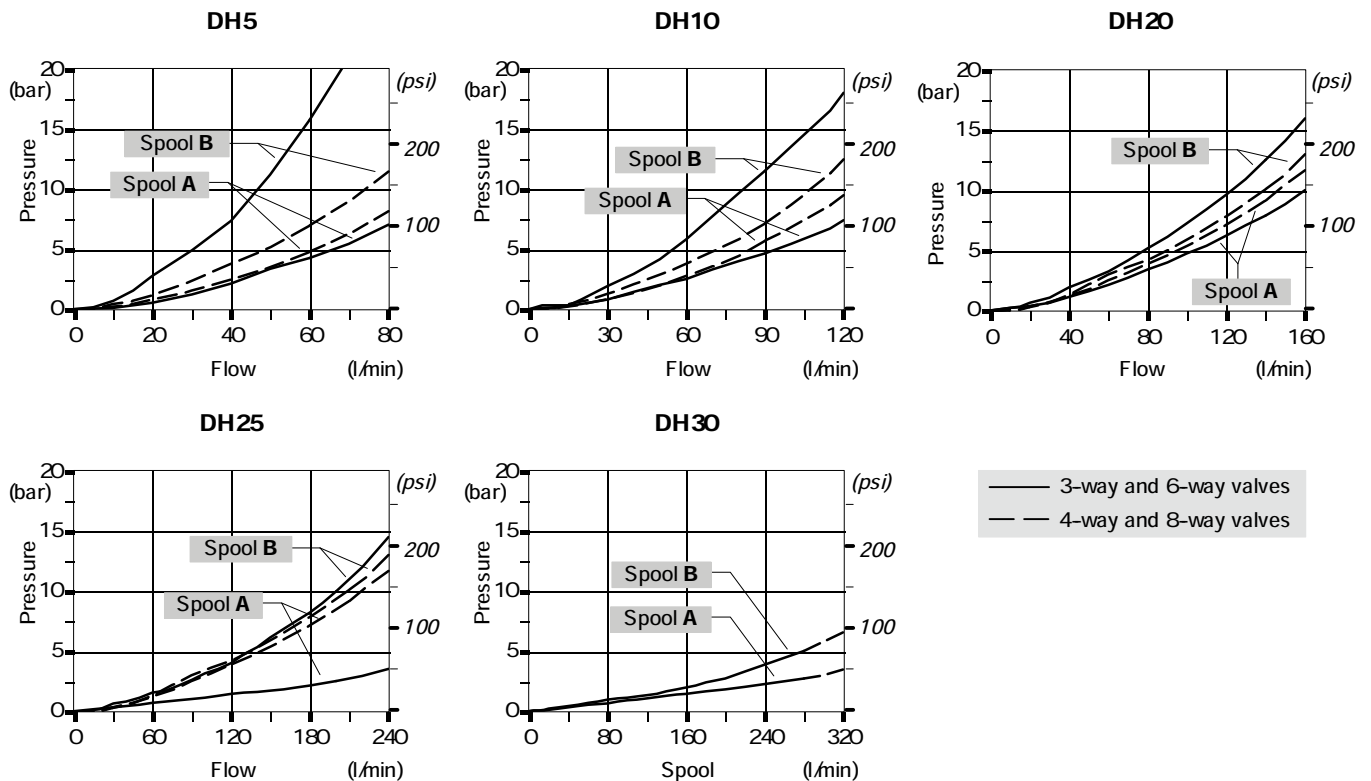
4-way and 8-way

8-way diverter valve is obtained by coupling two 4-way bodies using assembling kit



Performance data

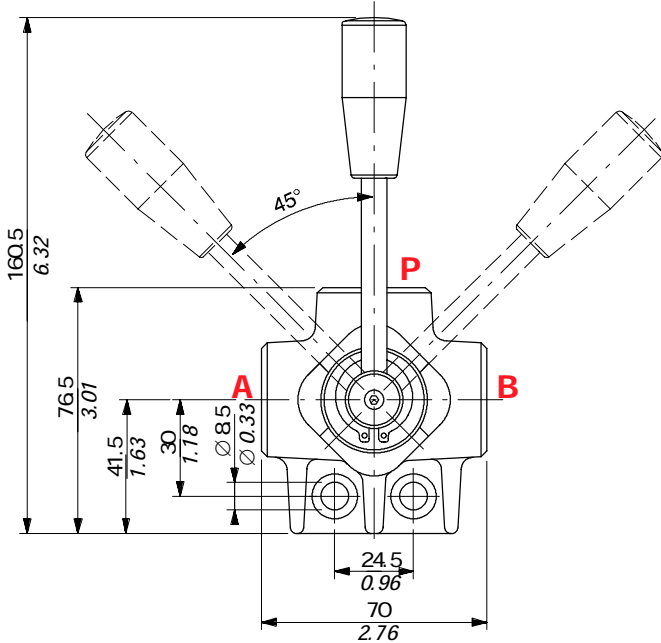
Pressure drop versus flow P→A(B): spool in position 1 (2)



Dimensional data

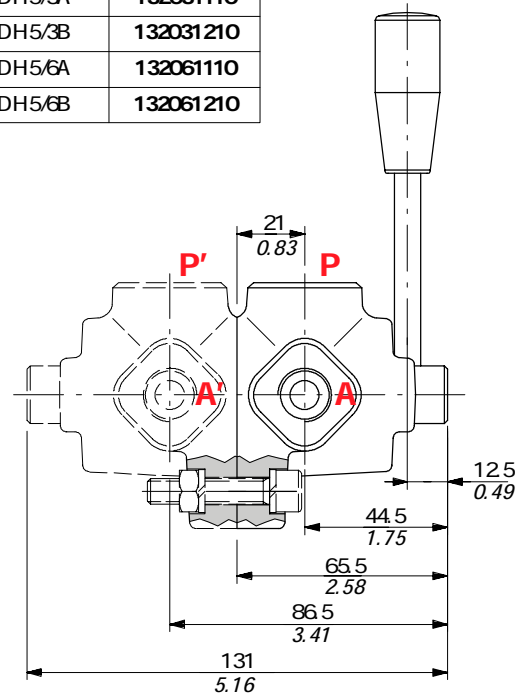
3-way DH5/3 and 6-way DH5/6 valves

Drawing is referred to valve with type A spool.



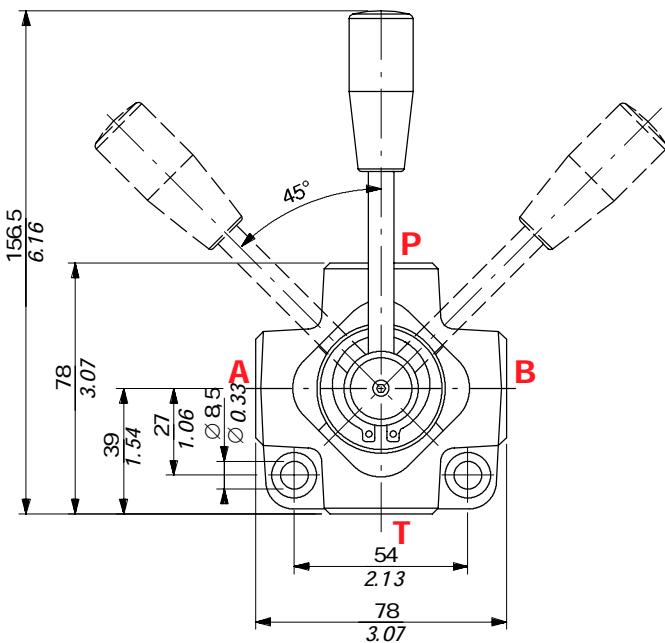
Ordering codes

DH5/3A	132031110
DH5/3B	132031210
DH5/6A	132061110
DH5/6B	132061210



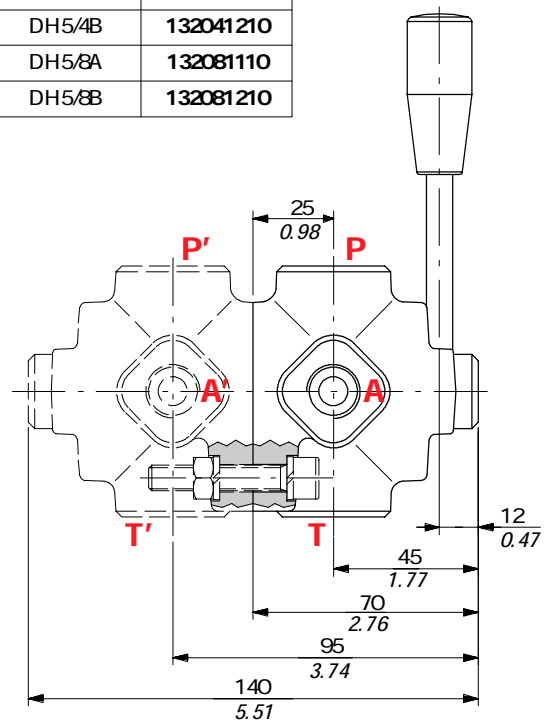
4-way DH5/4 and 8-way DH5/8 valves

Drawing is referred to valve with type A spool.



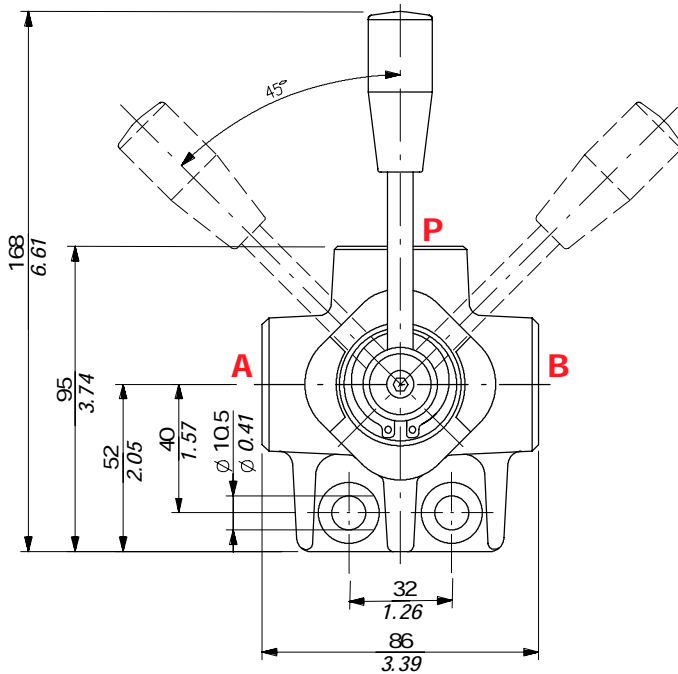
Ordering codes

DH5/4A	132041110
DH5/4B	132041210
DH5/8A	132081110
DH5/8B	132081210

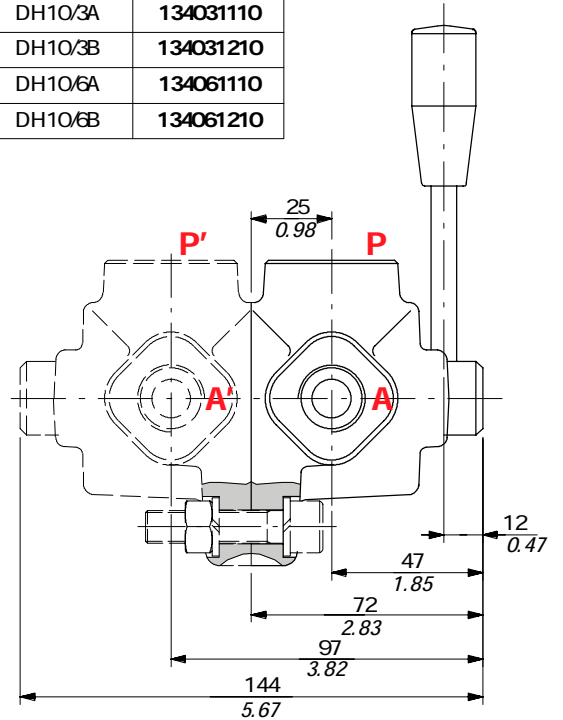


3-way DH10/3 and 6-way DH10/6 valves

Drawing is referred to valve with type A spool.

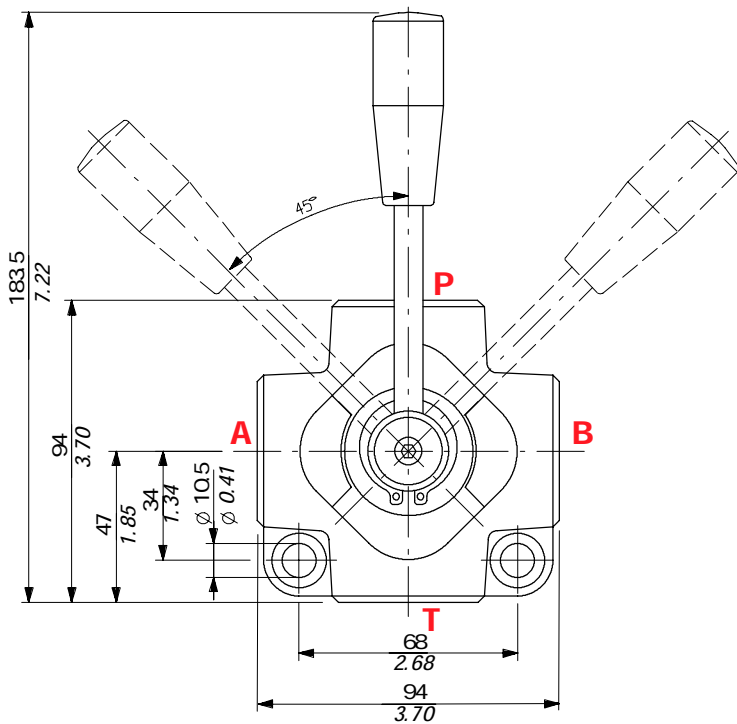


Ordering codes	
DH10/3A	134031110
DH10/3B	134031210
DH10/6A	134061110
DH10/6B	134061210

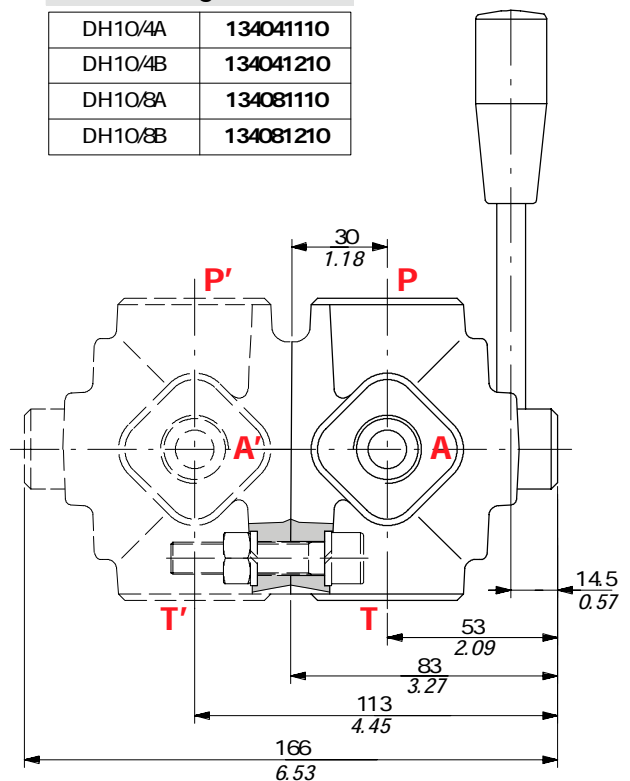


4-way DH10/4 and 8-way DH10/8 valves

Drawing is referred to valve with type A spool.



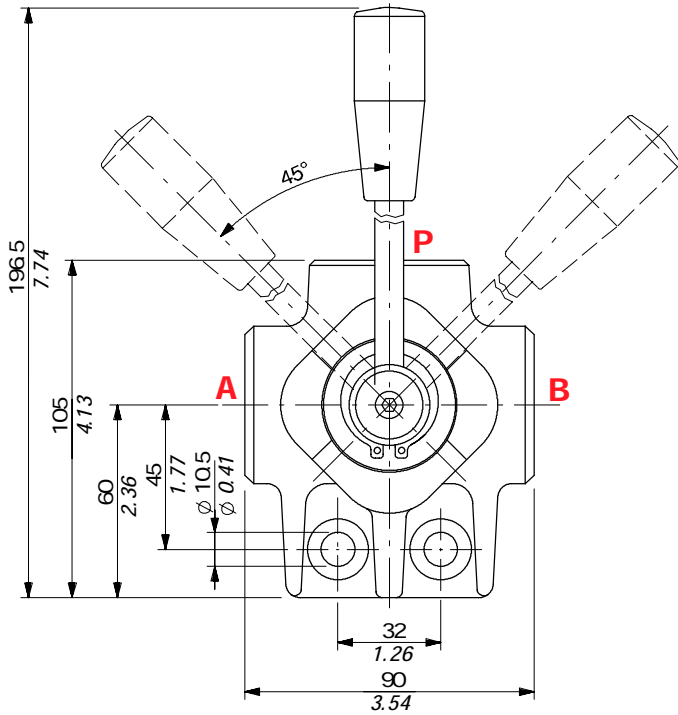
Ordering codes	
DH10/4A	134041110
DH10/4B	134041210
DH10/8A	134081110
DH10/8B	134081210



Dimensional data

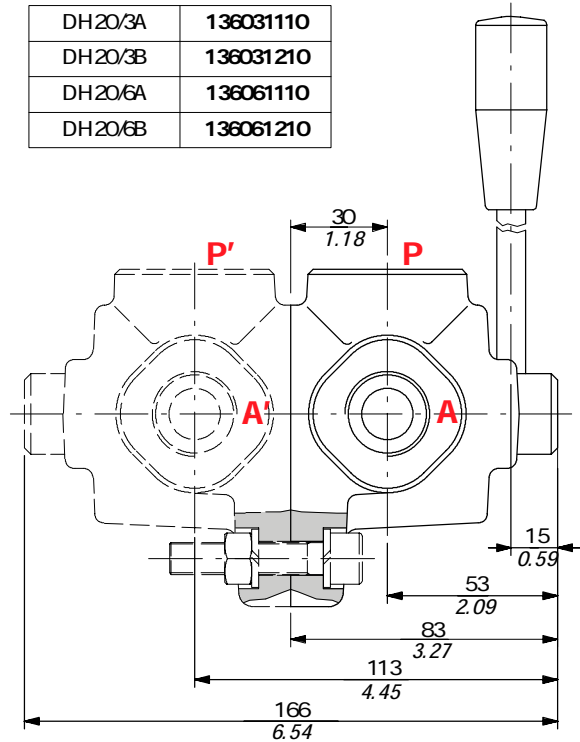
3-way DH20/3 and 6-way DH20/6 valves

Drawing is referred to valve with type A spool.



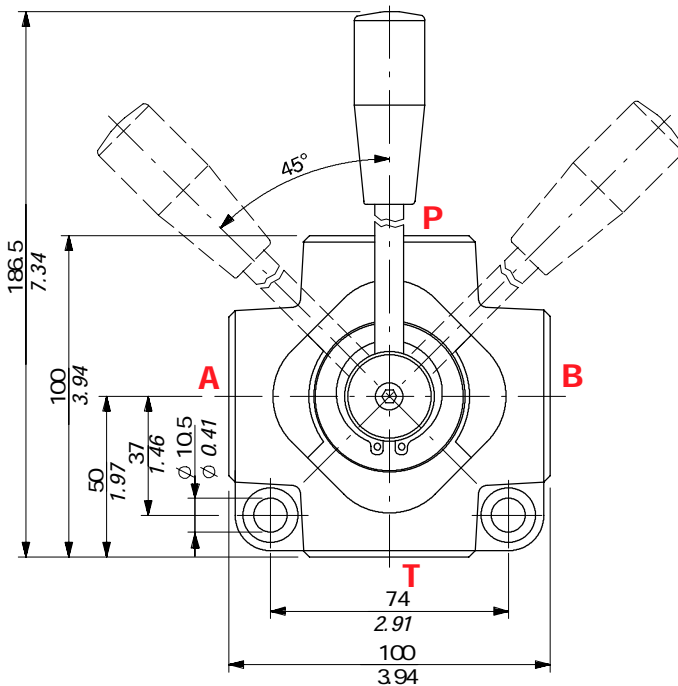
Ordering codes

DH20/3A	136031110
DH20/3B	136031210
DH20/6A	136061110
DH20/6B	136061210



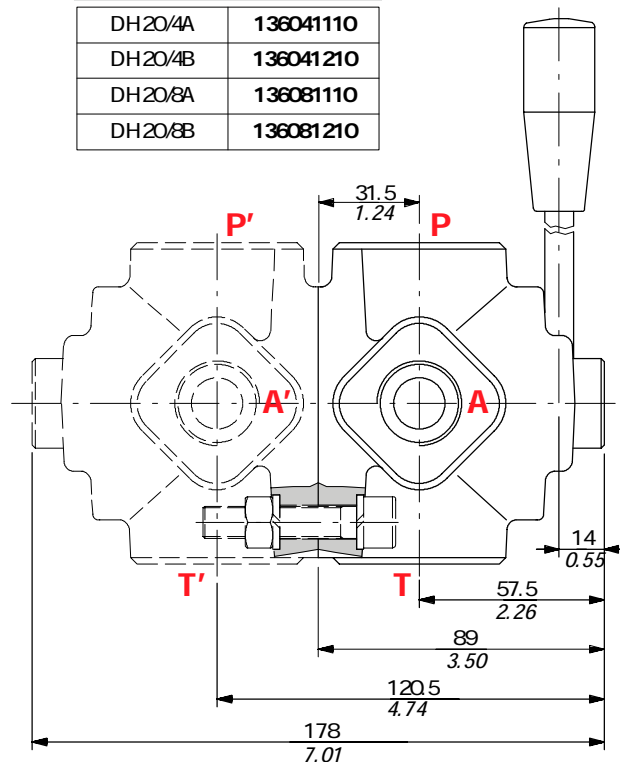
4-way DH20/4 and 8-way DH20/8 valves

Drawing is referred to valve with type A spool.



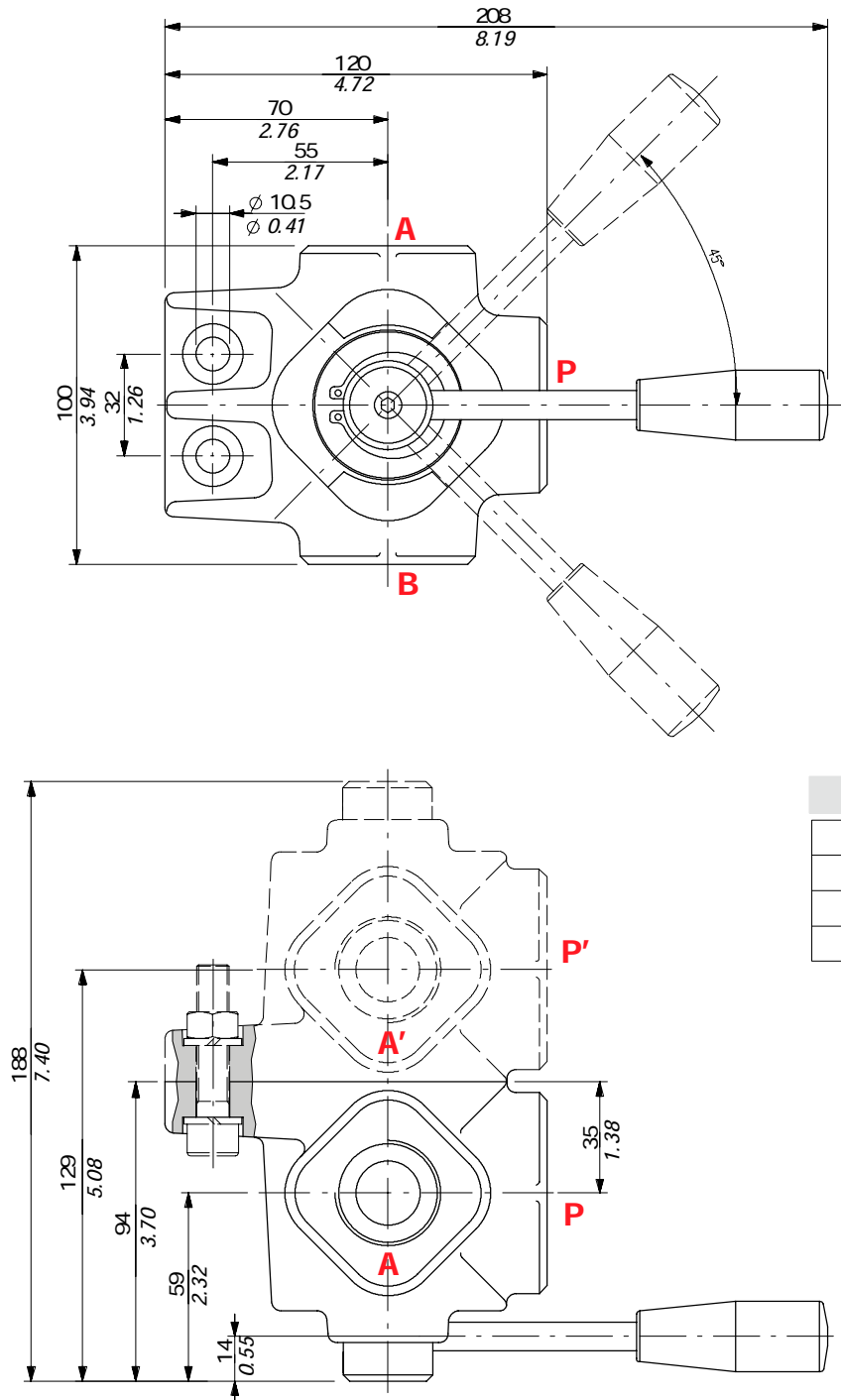
Ordering codes

DH20/4A	136041110
DH20/4B	136041210
DH20/8A	136081110
DH20/8B	136081210



3-way DH25/3 and 6-way DH25/6 valves

Drawing is referred to valve with type A spool.



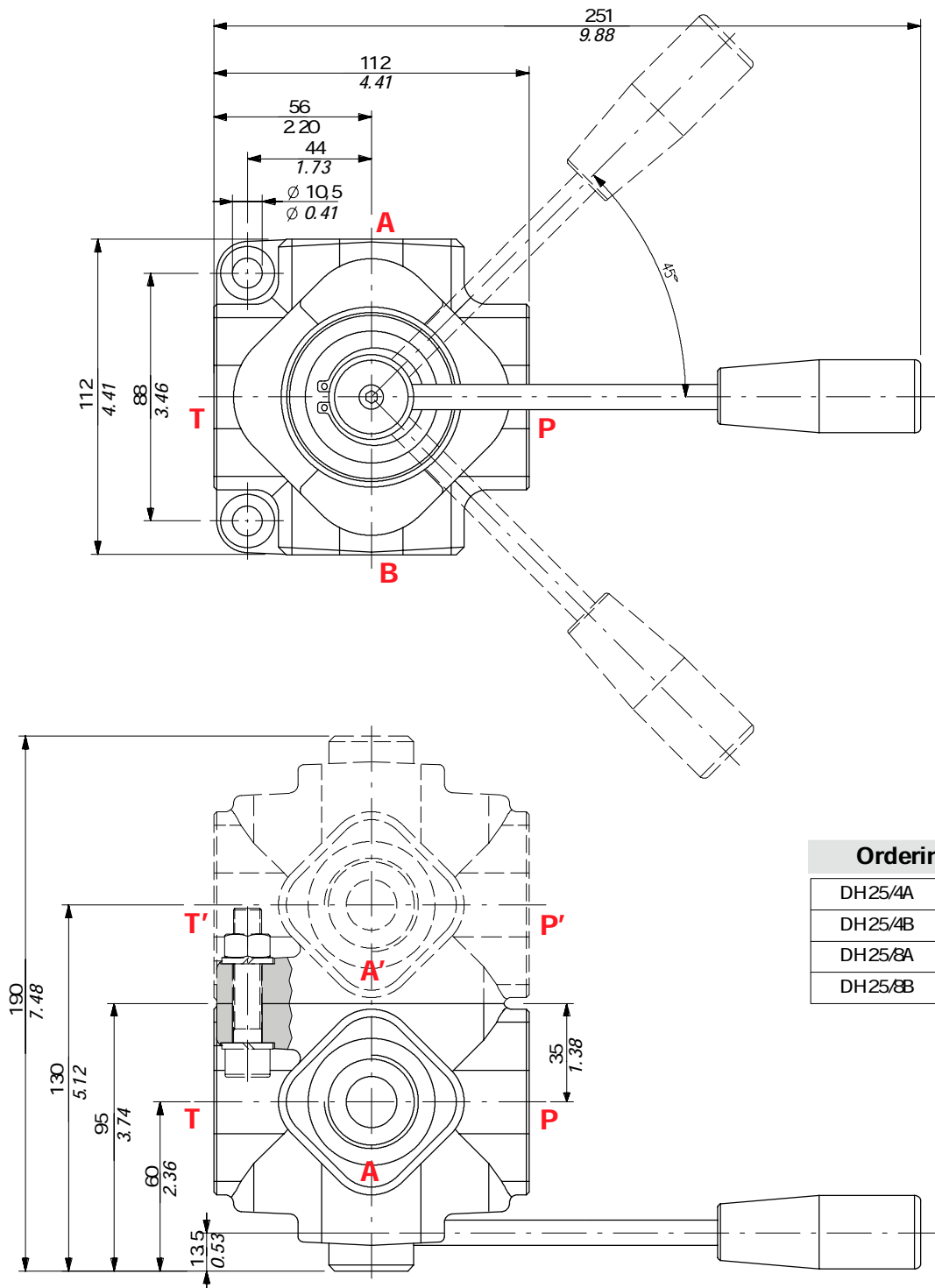
Ordering codes

DH25/3A	137031110
DH25/3B	137031210
DH25/6A	137061110
DH25/6B	137061210

Dimensional data

4-way DH25/4 and 8-way DH25/8 valves

Drawing is referred to valve with type A spool.

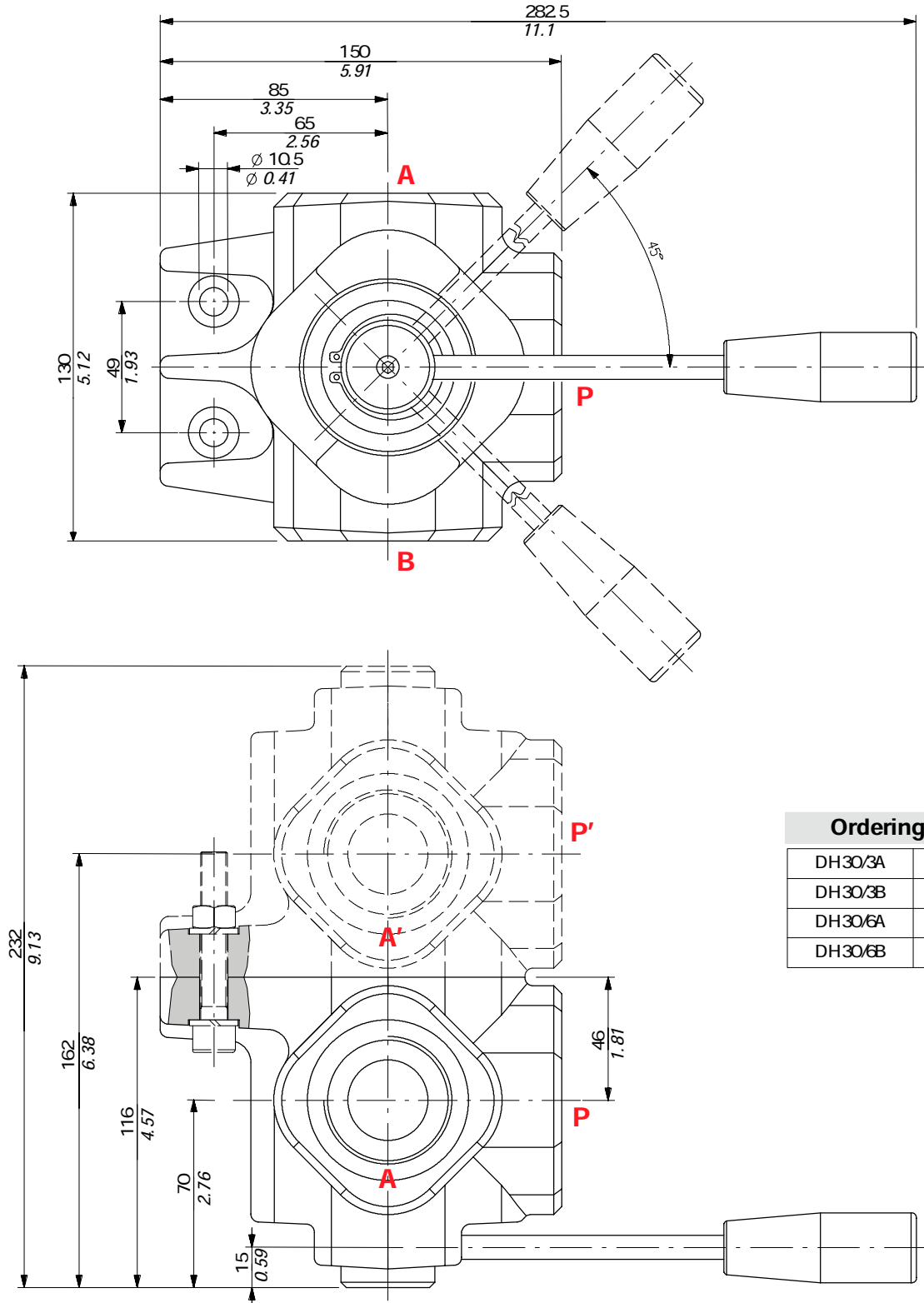


Ordering codes

DH25/4A	137041110
DH25/4B	137041210
DH25/8A	137081110
DH25/8B	137081210

3-way DH30/3 and 6-way DH30/6 valves

Drawing is referred to valve with type A spool.



Ordering codes

DH30/3A	139031110
DH30/3B	139031210
DH30/6A	139061110
DH30/6B	139061210