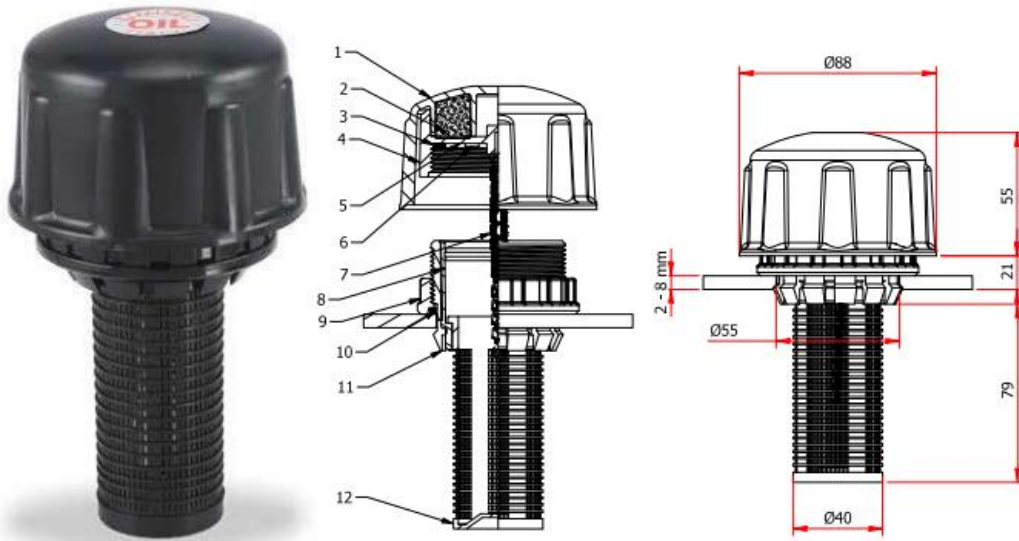


plastic breathers



-Filler breather for tank-top installation with strainer basket; assembly set contains 3 parts.

-**Top cap with breather** made from Polyamide 66 black color.

-Contained in the cap is the air filter made from Polyurethane foam; the cap has internal thread and screws on to the main body, located in the tanks.

-Main body manufactured from technopolymer black color contains threaded locking ring and inside locking ring. The main body is placed in a pre-drilled hole (Ø 55 mm 0.3 mm) on to the tank top.

-Tanktop thickness must be min 2 mm. max 8 mm.

-With this filler breather drilling and tapping of mounting holes is not needed.

-Safety chain available (model CTR/C), which connects the cap to the body, preventing misplacements of the cap when removed.

-**Strainer basket** manufactured from Polypropilene, black color.

-Max operating temperature: **80°C/176 °F**, airflow capacity up to **950 Lt/min** (see graphic pag.57).

-Seal between tank-top and main body: O-Ring 70 shore durometer.

1 Filler breather cap	7 Safety chain
2 Polyurethane air filter	8 Quick fastening coupling
3 Inner Cap threaded M60x2	9 Locking ring (esternal)
4 NBR flat seal	10 O-Ring
5 Breather holes	11 Internal locking ring
6 Self tapping screw (3x)	12 Filtering basket